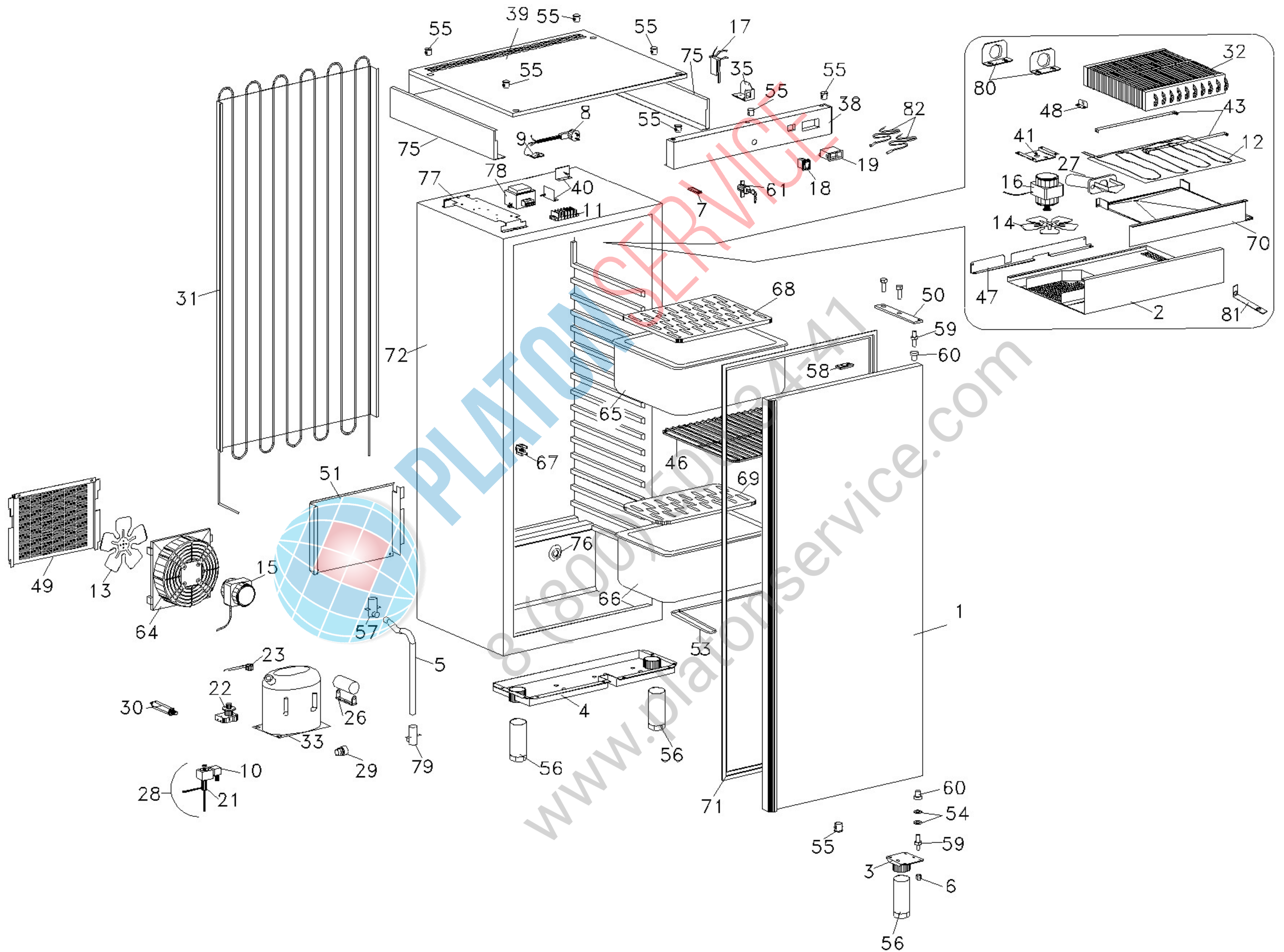




40CP

Edition 20080804-20081209



Pos	Code	Description	Info
001	30G3490	FRIDGE DOOR	11/10/1996-
002	3AA2350	EVAPORATOR GUARD	08/11/1996-
003	3AT1170	FOOT-HOLDER	04/03/1997-
004	30W0080	TRAY ASS.Y	01/01/1996-
005	3153110	DRAIN PIPE	10/06/2008-
006	3113200	NUT	01/01/1996-
007	3178310	PLUG	01/01/1996-
008	32A2200	POWER SUPPLY CABLE	20/06/1997-
009	32D0020	CABLE CLAMP Ø 4 - 12	01/01/1996-
010	32D0710	THREE-POLE CONNECTOR	01/01/1996-
011	32D0740	TERMINAL BOARD	01/01/1996-
012	32G1820	HEATING ELEMENT	01/01/1996-
013	32M2510	FAN	01/01/1996-
014	32M3280	FAN	01/01/1996-
015	32M6870	FAN MOTOR	05/12/2001-
016	32M7180	FAN MOTOR	09/10/2004-
017	32W1320	MICROSWITCH	01/01/1996-
018	32W2331	BIPOLAR SWITCH	01/01/1996-
019	3142480	DIGITAL THERMOREGULATOR	26/05/2008-
021	32Z2750	COIL	01/01/1996-
022	32V1210	RELAY	22/04/1998-
023	32V1360	ENGINE CUTOUT	22/04/1998-
026	32V1490	CONDENSER	22/04/1998-
027	36E2790	CONDENS. DRAIN	19/06/2001-
028	33A0510	DEFROST SOL. VALVE	01/01/1996-
029	33A1200	AUXIL.VALVE	01/01/1996-
030	33A0180	FILTER	01/01/1996-
031	34D1220	CONDENSER	01/01/1996-
032	34D3430	PLATE EVAP.	01/01/1996-
033	34D6390	COMPRESSOR R134a (TN)	20/06/1998-
035	35C8170	LOCK SUPPORT	05/03/1999-
038	35H0370	FRONT PANNE	17/03/2000-
039	35G5720	COVER	05/03/1999-
040	35S5180	TERMINAL SUPPORT	01/01/1996-
041	35S9690	FAN SUPPORT	01/01/1996-
043	35V2130	RESISTOR FASTENER	01/01/1996-
046	36A0131	GRID 60x40	04/08/2008-
047	35V2080	EVAP. GUARD SUPPORT	05/02/1997-
048	35V6670	FRONT GUARD SUPPORT	01/01/1996-
049	35Y9340	FAN GUARD	20/05/2004-
050	35V7760	TOP BRACKET	01/01/1996-
051	35V7810	STACK BACK SIDE	01/01/1996-
053	3155820	GRID 60x28	04/08/2008-
054	36D2880	WASHER	01/01/1996-
055	36Q1660	CLAMP-ON	02/04/1999-
056	36D4000	ADJUSTABLE FOOT	01/01/1996-
057	36E4780	CONDENS. DRAIN	07/09/2004-
058	36D9480	LOCK BRACKET	01/01/1996-
059	36G0440	DOOR PIN	01/01/1996-
060	36G2810	BEARING	01/01/1996-
061	36M0140	KEY LOCK	01/01/1996-

Pos	Code	Description	Info
064	36Z0230	CONVEYOR	01/01/1996-
065	36Z0240	TRAY	01/01/1996-
066	36Z0291	PLASTIC COATED TRAY	01/01/1996-
067	36Z0490	ENGINE CUTOUT	01/01/1996-
068	36Z0520	FALSE BOTTOM	01/01/1996-
069	36Z0531	FALSE BOTTOM	01/01/1996-
070	36Z1570	TRAY	15/03/2002-
071	37Q0210	DOOR GASKET	01/01/1996-
072	40A0059	BODY	01/01/1996-
075	35G7790	MOTOR ROOM	05/03/1999-
076	36E0470	PLUG	19/02/1999-
077	35R1560	SUPPORT	17/03/2000-
079	36E2400	CONDENS. DRAIN	11/01/2001-
080	32V6010	EVAPORATOR PROBE NTC	26/05/2008-



PLATON SERVICE

8 (800) 500-34-47

www.platonservice.com